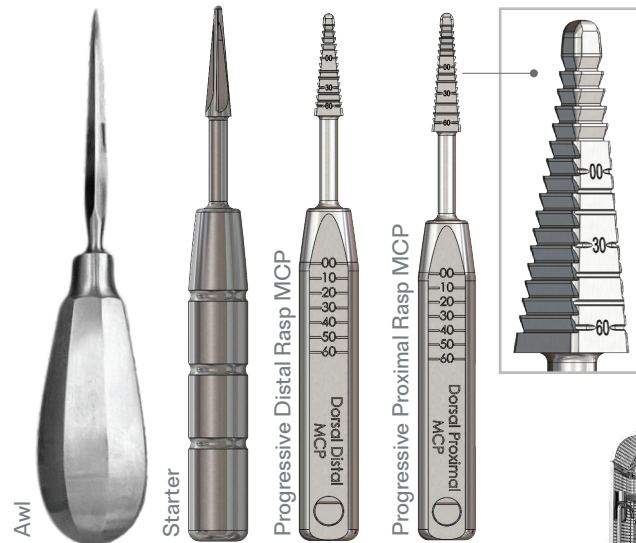


PIP & MCP INSTRUMENTATION

KeriFlex®

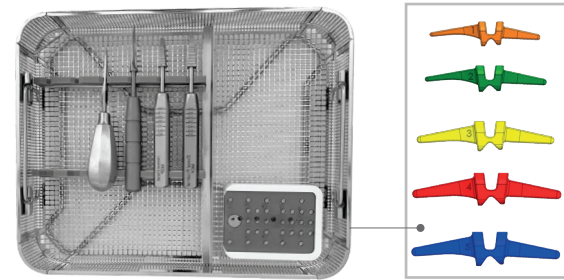
OPTIMISED & SIMPLIFIED INSTRUMENTATION

Instruments
2 progressive rasps per indication

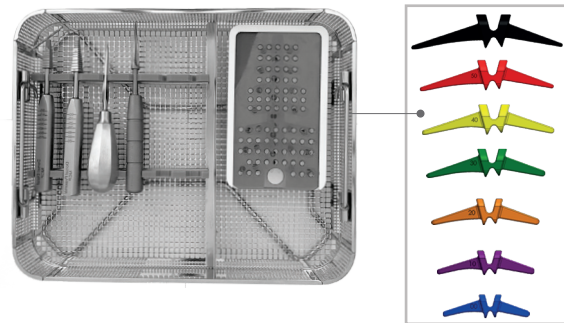


Validated sterilisation cycle 134°/18 min and 134°/3 min according to ANSI/AAMI ST79 and EN ISO 17665

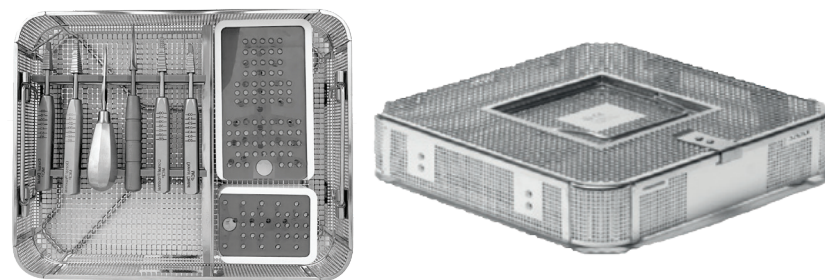
PIP Instruments



MCP Instruments



PIP + MCP Instruments



ORDERING INFORMATION

PIP Implants

Ref	Designation	Pattern
210-P20001	PIP 1 Finger Joint Implant	Orange
210-P20002	PIP 2 Finger Joint Implant	Green
210-P20003	PIP 3 Finger Joint Implant	Yellow
210-P20004	PIP 4 Finger Joint Implant	Red
210-P20005	PIP 5 Finger Joint Implant	Blue

MCP Implants

Ref	Designation	Pattern
210-P10000	MCP 00 Finger Joint Implant	Blue
210-P10010	MCP 10 Finger Joint Implant	Purple
210-P10020	MCP 20 Finger Joint Implant	Orange
210-P10030	MCP 30 Finger Joint Implant	Green
210-P10040	MCP 40 Finger Joint Implant	Yellow
210-P10050	MCP 50 Finger Joint Implant	Red
210-P10060	MCP 60 Finger Joint Implant	Black

CE 1250

KeriMedical SA
Switzerland (HQ)
Route des Acacias, 45a
1227 Geneva - Switzerland
Tél: +41 58 255 01 30
Fax: +41 58 255 01 40
customerservice@kerimedical.com

KeriMedical SAS
France
ActiPro - 219 rue Laszlo Biro
74160 Archamps - France
Tél: +33(0)4 50 85 36 10
Fax: +33 (0)4 80 16 05 10
adv@kerimedical.com

KeriMedical GmbH
Germany/Austria
Friedrich-Koenig-Str. 3
55129 Mainz - Germany
Tel: +49 (0) 6131 617 69 26
Fax: +49 (0) 6131 617 69 28
officegermany@kerimedical.com

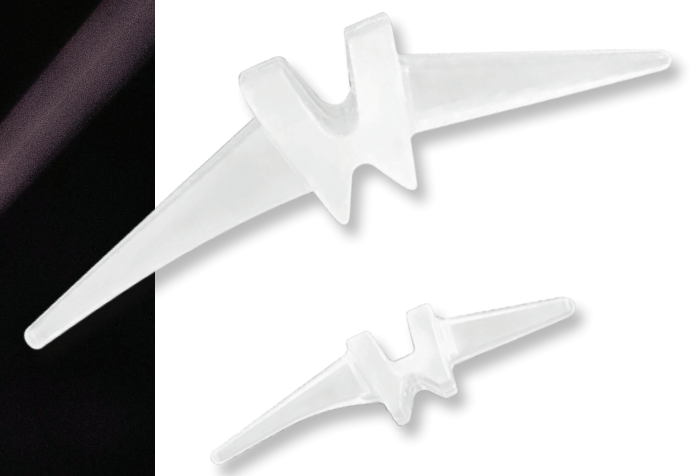


Fully committed to Hand & Wrist only
www.kerimedical.com



KeriFlex®

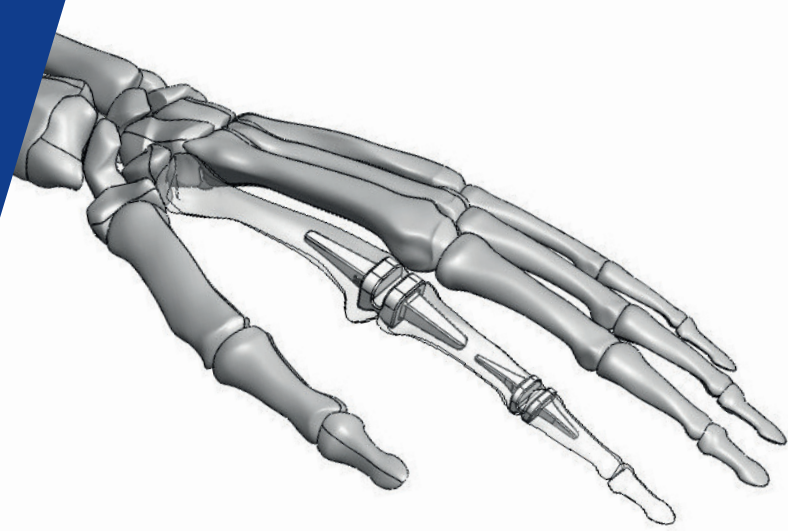
Silicone Finger Joint Implants
PIP - MCP



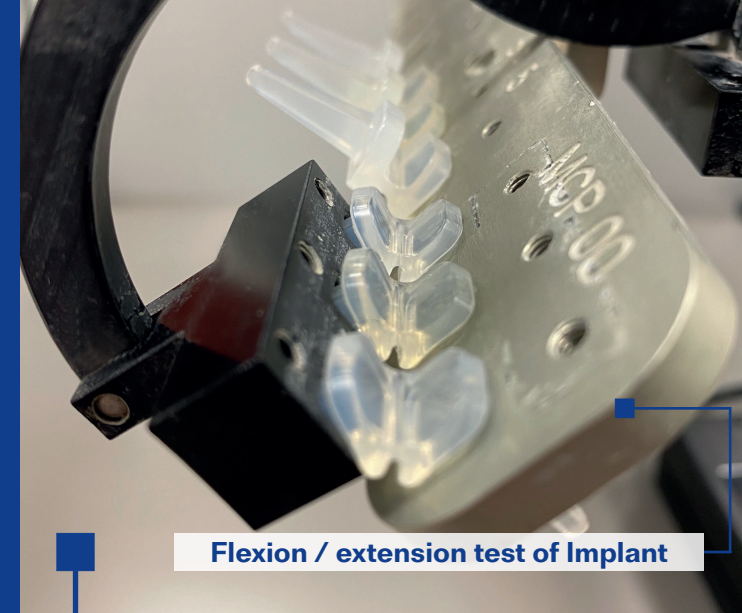
KeriFlex®

Silicone Finger Joint Implants PIP - MCP

Replaces joints affected by rheumatoid arthritis, osteoarthritis or traumatic arthritis



Test lab



Flexion / extension test of Implant

DESIGN & RESISTANCE VERIFIED

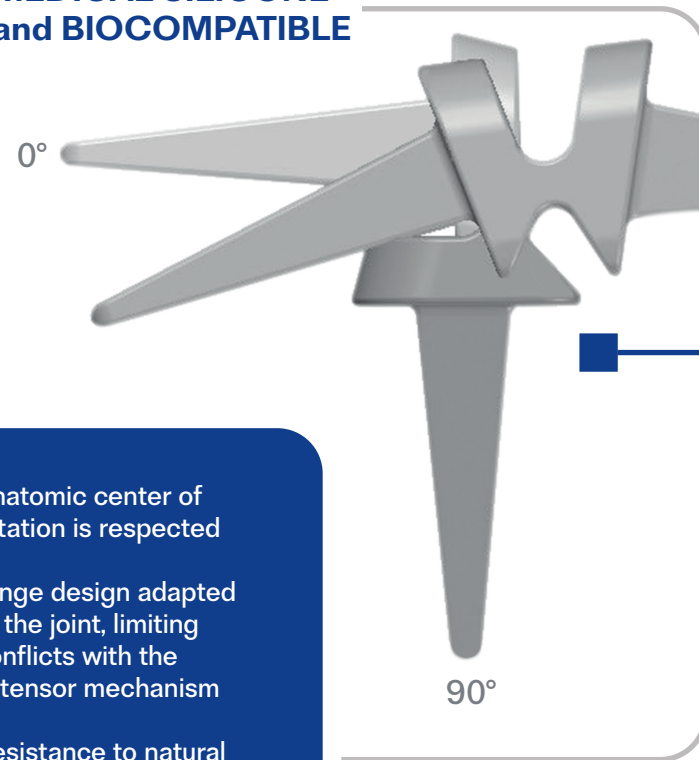
- Full flexion / extension (0° - 90°)
- Verified resistance up to 10 million cycles (test lab)
- Respect of joint angulation at rest : PIP 15° and MCP 30°

+ COMFORT

+ STABILITY

KeriFlex® implants provide strength, flexibility and durability

**MEDICAL SILICONE
and BIOCOMPATIBLE**



- Anatomic center of rotation is respected
- Hinge design adapted to the joint, limiting conflicts with the extensor mechanism
- Resistance to natural compression stress of the joint

The new generation
of Finger Joint Implants

Medio-lateral stability
and joint mobility

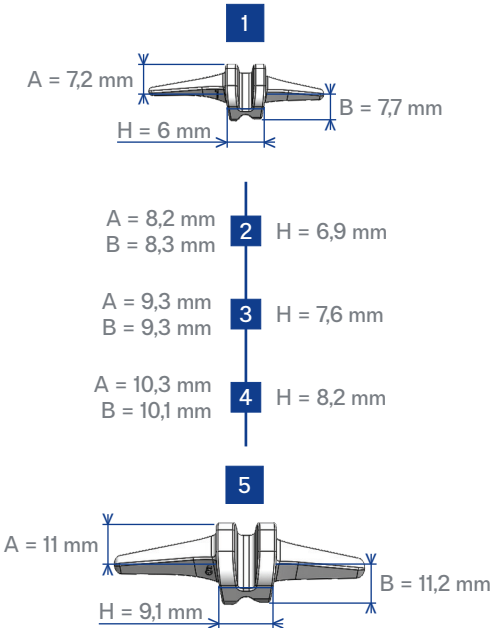
High performance
medical silicone
for high mechanical
resistance
to physiological efforts

Complete size range to
meet all anatomical needs

12 SIZES AVAILABLE

PIP

5 sizes of implants



MCP

7 sizes of implants

