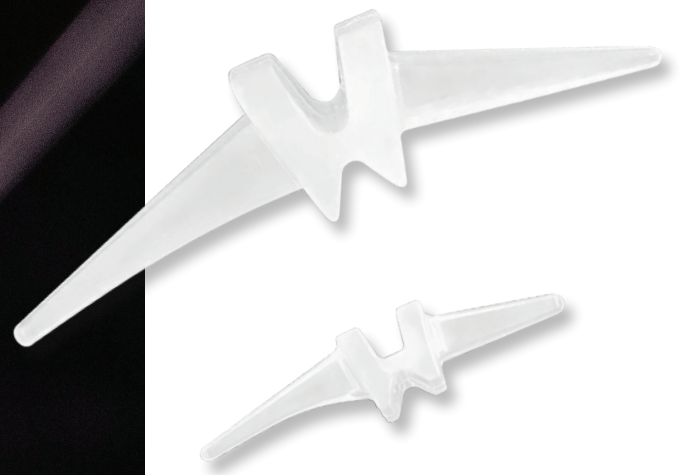




## KeriFlex<sup>®</sup>

Silicone Finger Joint Implants

PIP - MCP



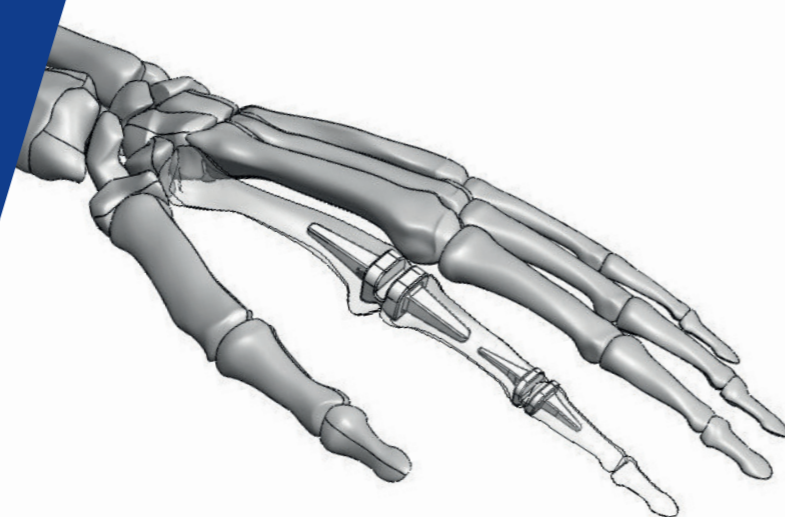
Fully committed to **Hand & Wrist** only

[www.kerimedical.com](http://www.kerimedical.com)

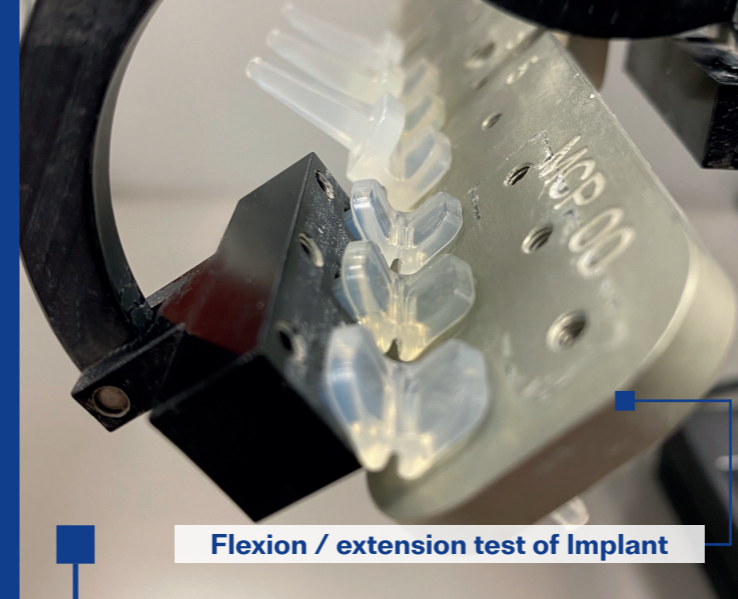
# KeriFlex®

Silicone Finger Joint Implants  
PIP - MCP

Replaces joints affected by rheumatoid arthritis, osteoarthritis or traumatic arthritis



Test lab



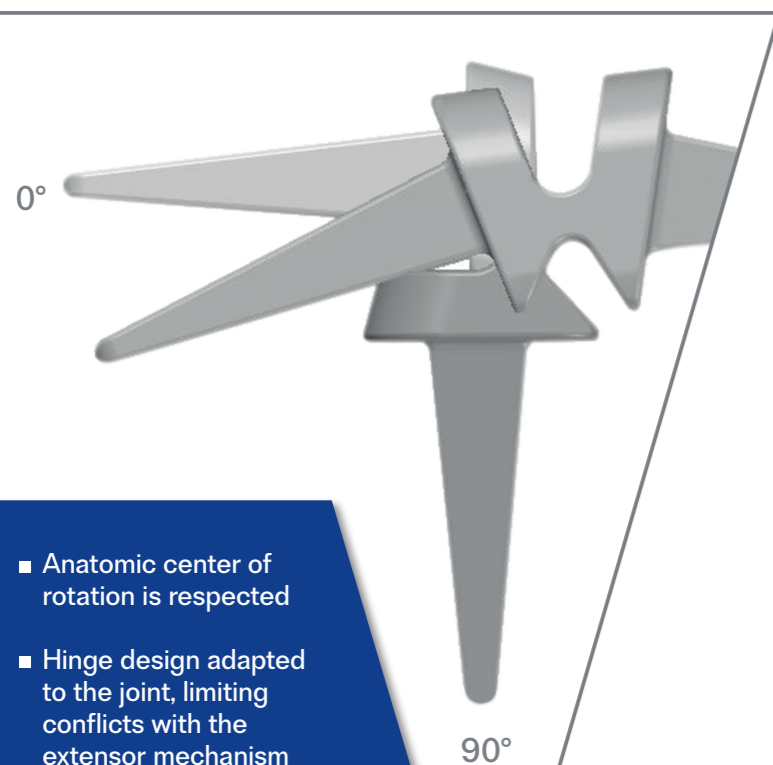
Flexion / extension test of Implant

## DESIGN & RESISTANCE VERIFIED

- Full flexion / extension (0° - 90°)
- Verified resistance up to 10 million cycles (test lab)
- Respect of joint angulation at rest : PIP 15° and MCP 30°

### PIP 0

Size adapted to small morphologies



- Anatomic center of rotation is respected
- Hinge design adapted to the joint, limiting conflicts with the extensor mechanism
- Resistance to natural compression stress of the joint

The new generation of Finger Joint Implants

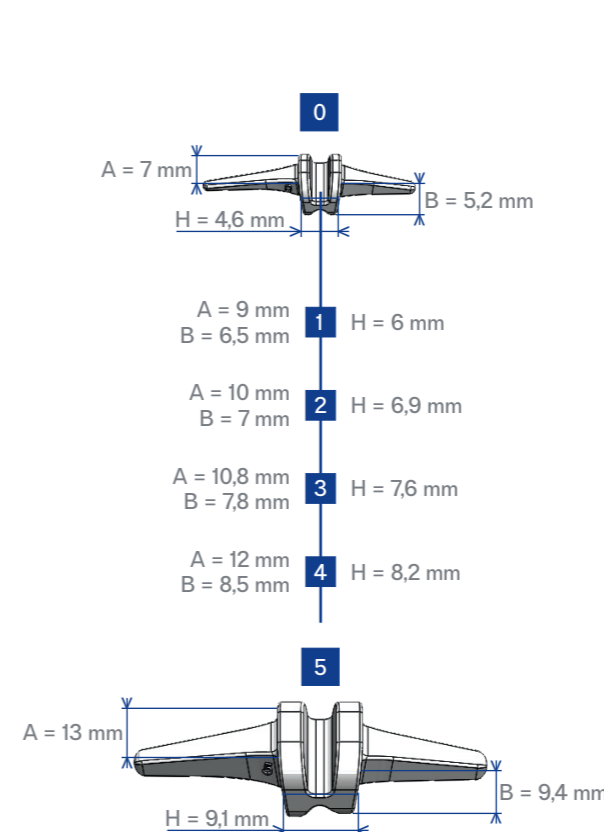
KeriFlex® implants provide strength, flexibility and durability

Medio-lateral stability and joint mobility

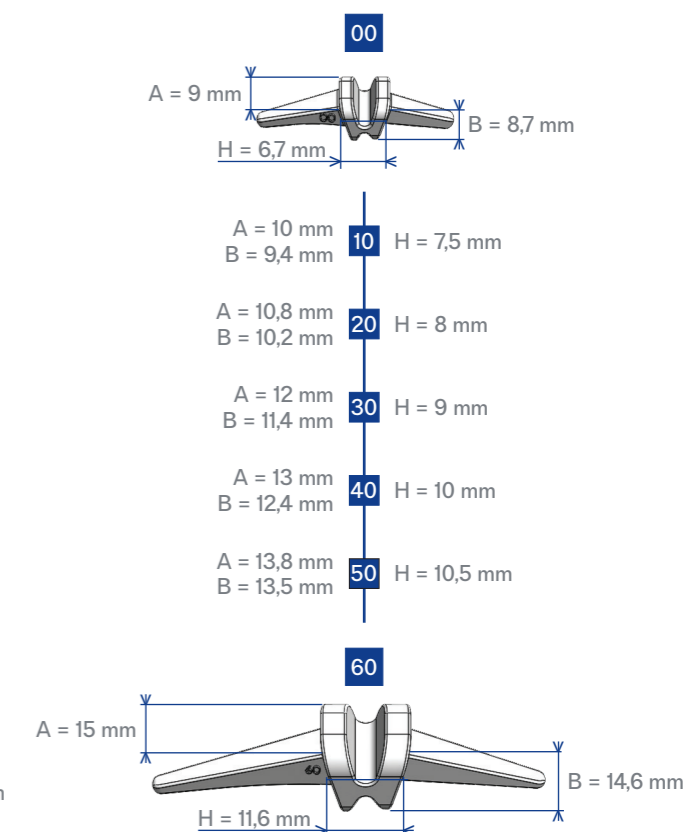
High performance medical silicone for high mechanical resistance to physiological efforts

### 13 SIZES AVAILABLE

#### PIP - 6 sizes of implants



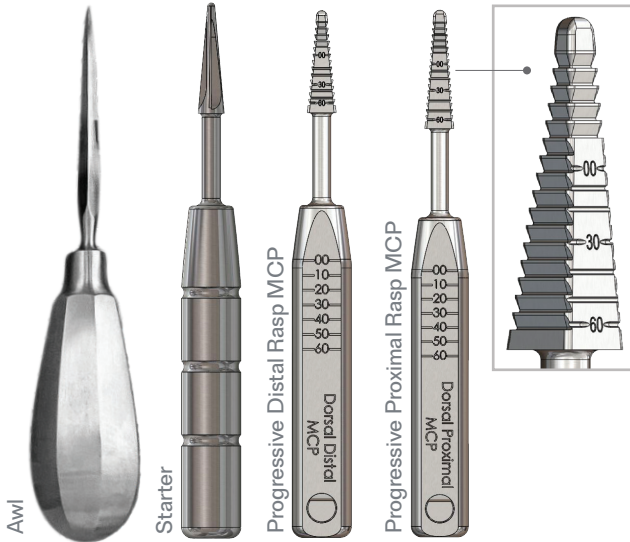
#### MCP - 7 sizes of implants



## OPTIMISED & SIMPLIFIED INSTRUMENTATION

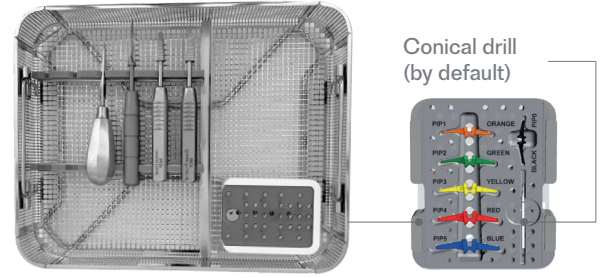
### Instruments

2 progressive rasps per indication

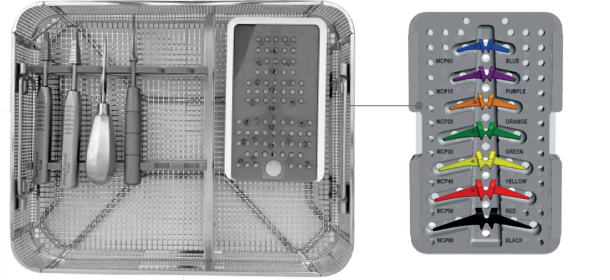


Validated sterilisation cycle 134°/18 min and 134°/3 min according to ANSI/AAMI ST79 and EN ISO 17665

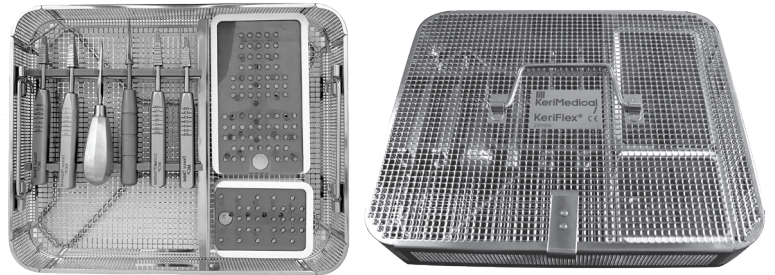
### Set PIP



### Set MCP



### Set PIP + MCP



## ORDERING INFORMATION

### PIP Implants

#### Catalog

Reference	Designation	Pattern
210-P20000	PIP 0 Finger Joint Implant	● Black
210-P20001	PIP 1 Finger Joint Implant	● Orange
210-P20002	PIP 2 Finger Joint Implant	● Green
210-P20003	PIP 3 Finger Joint Implant	● Yellow
210-P20004	PIP 4 Finger Joint Implant	● Red
210-P20005	PIP 5 Finger Joint Implant	● Blue

### MCP Implants

#### Catalog

Reference	Designation	Pattern
210-P10000	MCP 00 Finger Joint Implant	● Blue
210-P10010	MCP 10 Finger Joint Implant	● Purple
210-P10020	MCP 20 Finger Joint Implant	● Orange
210-P10030	MCP 30 Finger Joint Implant	● Green
210-P10040	MCP 40 Finger Joint Implant	● Yellow
210-P10050	MCP 50 Finger Joint Implant	● Red
210-P10060	MCP 60 Finger Joint Implant	● Black



**KeriMedical SA**  
**Switzerland** (Headquarters)  
 Route des Acacias, 45a  
 1227 Geneva - Switzerland  
 Tél: +41 58 255 01 30  
 Fax: +41 58 255 01 40  
 customerservice@kerimedical.com

**KeriMedical SAS**  
**France**  
 ActiPro - 219 rue Laszlo Biro  
 74160 Archamps - France  
 Tél: +33(0)4 50 85 36 10  
 Fax: +33 (0)4 80 16 05 10  
 adv@kerimedical.com

Distributed by:

